

CIRCULAR ANTENNAS

MT-242017/NRH/K
865 - 870MHZ, 10 DBIC RHCP READER ANTENNA



ELECTRICAL

REGULATORY COMPLIANCE	RoHS, CE 0682
FREQUENCY RANGE	865-870 MHz
GAIN	10 dBic (min) 11 dBic (max)
VSWR	1.3:1 (max)
POLARIZATION	RHCP
3dB ELEVATION BEAMWIDTH	48? (typ)
3dB AZIMUTH BEAMWIDTH	60? (typ)
SIDELOBES LEVEL @ ± 90°	-12 dB (max)
F/B RATIO	-20 dB (max)
POWER	6W (max)
INPUT IMPEDANCE	50 (ohm)
AXIAL RATIO AT BORESIGHT	2 dB (max) 1 dB (typ)
LIGHTNING PROTECTION	DC Grounded

MECHANICAL

DIMENSIONS (LxWxD)	371 x 371 x 38mm (max)
CONNECTOR	N-Type Female
WEIGHT	1.6 kg (max)
MOUNTING KIT	SEE RD41191800C, MT-120018
RADOME MATERIAL	Plastic
OUTLINE DRAWING	RD43010900C
ORIENTATION	Rectangular

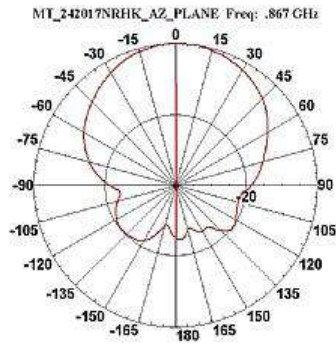
[ADD TO COMPARE PAGE](#) [TO COMPARE PAGE](#)

ENVIRONMENTAL

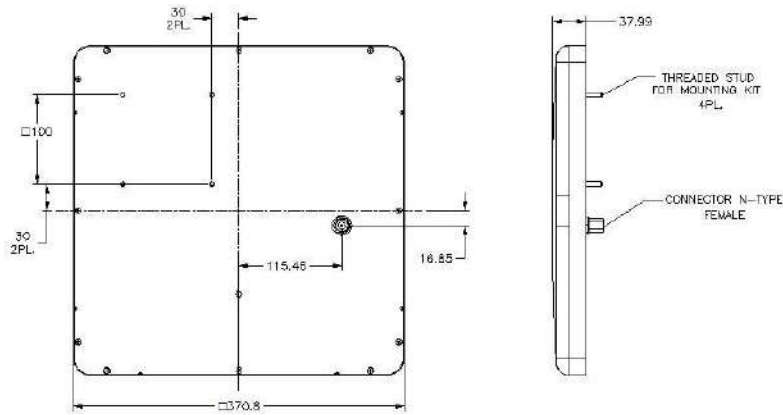
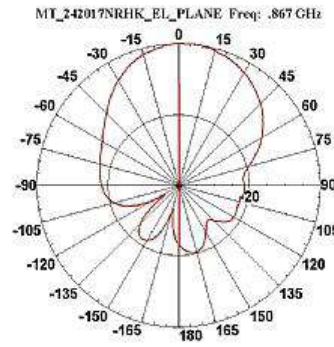
TEST	STANDARD	DURATION	TEMPERTURE	NOTES
LOW TEMPERATURE	IEC 68-2-1	72 h	-55°C	
HIGH TEMPERATURE	IEC 68-2-2	72 h	+71°C	
TEMP. CYCLING	IEC 68-2-14	1 h	-45°C +70°C	3 Cycles
VIBRATION	IEC 60721-3-4	30 min/axis		Random4M3
SHOCK MECHANICAL	IEC 60721-3-4			4M3
HUMIDITY	ETSI EN300-2-4 T4.1E	144 h		95%
WATER TIGHTNESS	IEC 529			IP67
SOLAR RADIATION	ASTAM G53	1000h		
SALT SPRAY	IEC 68-2-11 Ka	500h		
ICE AND SNOW				25mm Radial
WIND SPEED SURVIVAL OPERATION				220 Km/h 160 Km/h
WIND LOAD (SURVIVAL)				39.1 kg
FRONT THRUST				4.2 kg
SIDE THRUST				

*For outdoor installations that require mounting the antenna horizontally facing ground, the antenna horizontally facing ground, please contact MTI representative for the dedicated P/N

AZIMUTH RADIATION PATTERN MIDBAND
FREQ. 0.867 GHZ



ELEVATION RADIATION PATTERN MIDBAND
FREQ. 0.867 GHZ



WAIVER!

While the information contained in this document has been carefully compiled to the best of our present knowledge, it is not intended as presentation or warranty of any kind on our part regarding the fitness of the products concerned for any particular use or purpose and neither shall any statement contained herein be construed as a recommendation to infringe any industrial property rights or as a license to use any such rights. The fitness of each product for any particular purpose must be checked beforehand with our specialists.